



**Electrolux**

## Modular Cooking Range Line 900XP 6-Burner Gas Range on Gas Oven with Cupboard

ITEM # \_\_\_\_\_

MODEL # \_\_\_\_\_

NAME # \_\_\_\_\_

SIS # \_\_\_\_\_

AIA # \_\_\_\_\_



**Electrolux**



### Modular Cooking Range Line

### 900XP 6-Burner Gas Range on Gas Oven with Cupboard

**391013 (E9GCGL6C10)** 6-burner (2x10 kW, 4x6 kW)  
gas range on gas oven (8,5  
kW) with cupboard

### Short Form Specification

**Item No.** \_\_\_\_\_

To be installed on stainless steel feet with height adjustment up to 50 mm. High efficiency flower flame burners with continuous power regulation and optimized combustion. Flame failure device as standard on burners to protect against accidental extinguishing. Oven chamber with 3 levels of runners to accommodate 2/1 GN shelves (2 steam pans). Ribbed, cast-iron oven base plate. Exterior panels of unit in stainless steel with Scotch Brite finish. Pan supports in heavy duty cast iron. Extra strength work top in heavy duty 2 mm stainless steel. Right-angled side edges to allow flush-fitting junction between units.

### Main Features

- Unit to be mounted on stainless steel feet with height adjustment up to 50 mm. Unit can be easily mounted on cantilever systems.
- The four 6 kW and two 10 kW high efficiency burners are available in two different sizes to suit high performing cooking requirements of the most demanding customers:
  - 60 mm burners with continuous power regulation from 1,5 to 6 kW.
  - 100 mm burners with continuous power regulation from 2.2 kW to 10 kW.
- Cupboard compartment for storage of pots, pans, sheet pans etc.
- Gas appliance supplied for use with natural or LPG gas, conversion jets supplied as standard.
- Large sized pan support in cast iron (stainless steel as option) with long center fins to allow the use of the largest down to the smallest pans.
- Burners with optimized combustion.
- Flame failure device on each burner protects against gas leakage when accidental extinguishing of the flame occurs.
- Protected pilot light.
- Base compartment consists of a gas heated standard oven with stainless steel burners and self stabilizing flame positioned beneath the base plate. Oven chamber to have 3 levels of runners to accommodate 2/1 GN shelves (2 steam pans) and ribbed cast iron base plate.
- Oven thermostat adjustable from 120 °C to 280 °C.
- 40 mm thick oven door for heat insulation.
- The special design of the control knob system guarantees against water infiltration.
- IPX5 water protection.

### Construction

- Unit is 930 mm deep to give a larger working surface area.
- All exterior panels in Stainless Steel with Scotch Brite finishing.
- AISI 304 stainless steel worktop, 2mm thick.
- Model has right-angled side edges to allow flush fitting joints between units, eliminating gaps and possible dirt traps.

### Included Accessories

- 1 of GN2/1 chrome grid for static oven PNC 164250
- 1 of Door for open base cupboard PNC 206350

### Optional Accessories

- GN2/1 chrome grid for static oven PNC 164250
- Junction sealing kit PNC 206086
- Draught diverter with 150mm diameter PNC 206132

**APPROVAL:** \_\_\_\_\_

900XP 6-Burner Gas Range on Gas Oven with Cupboard  
Modular Cooking Range Line



**Electrolux**

## Modular Cooking Range Line 900XP 6-Burner Gas Range on Gas Oven with Cupboard

- Matching ring for flue condenser PNC 206133 ☐
- 4 wheels, 2 swivelling with brake (700/900XP). PNC 206135 ☐  
It is mandatory to install with base supports for feet/wheels.
- Flanged feet kit PNC 206136 ☐
- Frontal kicking strip for concrete installation, 1200mm PNC 206151 ☐
- Frontal kicking strip for concrete installation, 1600mm PNC 206152 ☐
- 2 side kicking strips for concrete installation PNC 206157 ☐
- Single burner radiant plate for pan support PNC 206170 ☐
- Frontal kicking strip, 1200mm (not for refr-freezer base) PNC 206178 ☐
- Frontal kicking strip, 1600mm (not for refr-freezer base) PNC 206179 ☐
- Pair of side kicking strips (not for refr-freezer base) PNC 206180 ☐
- 2 panels for service duct for single installation PNC 206181 ☐
- 2 panels for service duct for back to back installation PNC 206202 ☐
- 4 feet for concrete installation PNC 206210 ☐
- Flue condenser for 1 module, 150 mm diameter PNC 206246 ☐
- Electric heating kit for cupboards. 1 required per 400mm module. PNC 206259 ☐
- Water coulmn with swivel arm (water column extension not included) PNC 206289 ☐
- Water column extension for 900 line PNC 206290 ☐
- Stainless steel double grid for 2 burners PNC 206298 ☐
- Chimney upstand, 1200mm PNC 206306 ☐
- 2 drawers for open base cupboards, 100mm height PNC 206334 ☐
- Door for open base cupboard PNC 206350 ☐
- Wok pan support for open burners (700/900) PNC 206363 ☐
- Base support for feet or wheels - 1200mm (700/900) PNC 206368 ☐
- Rear paneling - 1200mm (700/900) PNC 206376 ☐
- Kit town gas nozzles (G150) for 900 gas ranges on gas oven PNC 206385 ☐
- Chimney grid net, 400mm PNC 206400 ☐
- Side handrail-right/left hand PNC 216044 ☐
- Frontal handrail 1200mm PNC 216049 ☐
- Frontal handrail 1600mm PNC 216050 ☐
- 2 side covering panels for free standing appliances PNC 216134 ☐
- Large handrail - portioning shelf, 400mm PNC 216185 ☐
- Large handrail - portioning shelf, 800mm PNC 216186 ☐
- Pressure regulator for gas units PNC 927225 ☐



**Modular Cooking Range Line  
900XP 6-Burner Gas Range on Gas Oven with Cupboard**

The company reserves the right to make modifications to the products without prior notice. All information correct at time of printing.

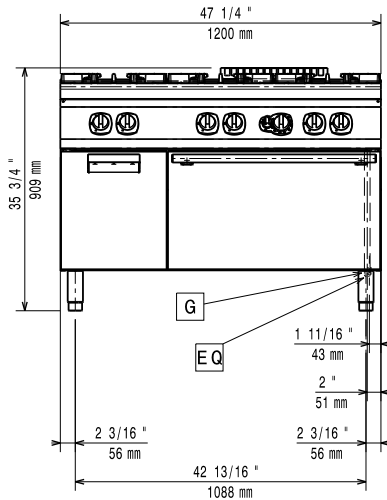
2014.06.26



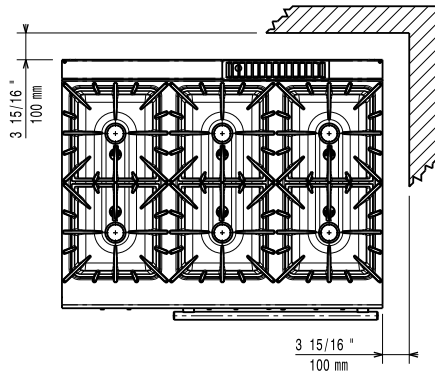
Electrolux

# Modular Cooking Range Line 900XP 6-Burner Gas Range on Gas Oven with Cupboard

Front

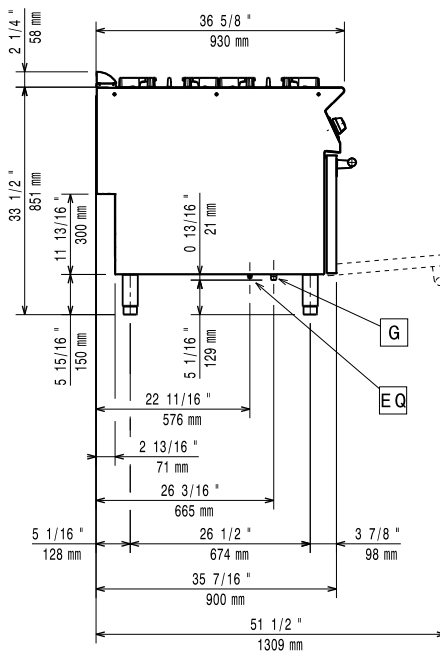


Top



G = Gas connection

Side



## Gas

### Gas Power:

391013 (E9GCGL6C10) 178973 Btu/hr (52.5 kW)

### Gas Type Option:

LPG; Natural Gas

### Gas Inlet:

1/2"

### Natural gas - Pressure:

7" w.c. (17.4 mbar)

### LPG Gas Pressure:

11" w.c. (27.7 mbar)

## Key Information

<b>Front Burners Power</b>	6 - 6 kW
<b>Back Burners Power</b>	10 - 10 kW
<b>Middle Burners Power:</b>	6 - 0/6 - 0 kW
<b>Back Burners Dimension - mm</b>	Ø 100 Ø 100
<b>Front Burners Dimension - mm</b>	Ø 60 Ø 60
<b>Middle Burners Dimension - mm</b>	Ø 60 Ø 60
<b>Oven working Temperature:</b>	120 °C MIN; 280 °C MAX
<b>Oven Cavity Dimensions (width):</b>	575 mm
<b>Oven Cavity Dimensions (height):</b>	300 mm
<b>Oven Cavity Dimensions (depth):</b>	700 mm
<b>Net weight:</b>	203 kg
<b>Shipping weight:</b>	183 kg
<b>Shipping height:</b>	1080 mm
<b>Shipping width:</b>	1020 mm
<b>Shipping depth:</b>	1280 mm
<b>Shipping volume:</b>	1.41 m <sup>3</sup>

If appliance is set up or next to or against temperature sensitive furniture or similar, a safety gap of approximately 150 mm should be maintained or some form of heat insulation fitted.



Modular Cooking Range Line  
900XP 6-Burner Gas Range on Gas Oven with Cupboard

The company reserves the right to make modifications to the products without prior notice. All information correct at time of printing.